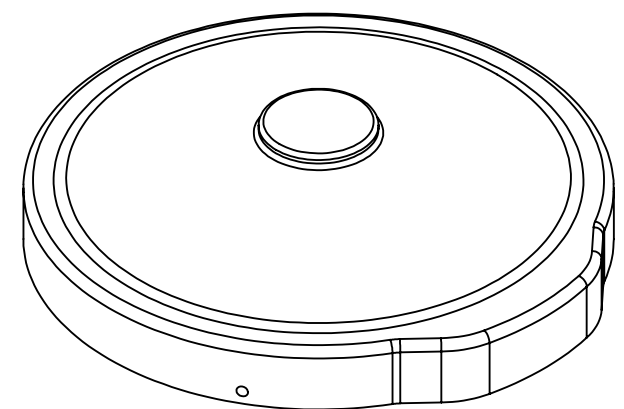
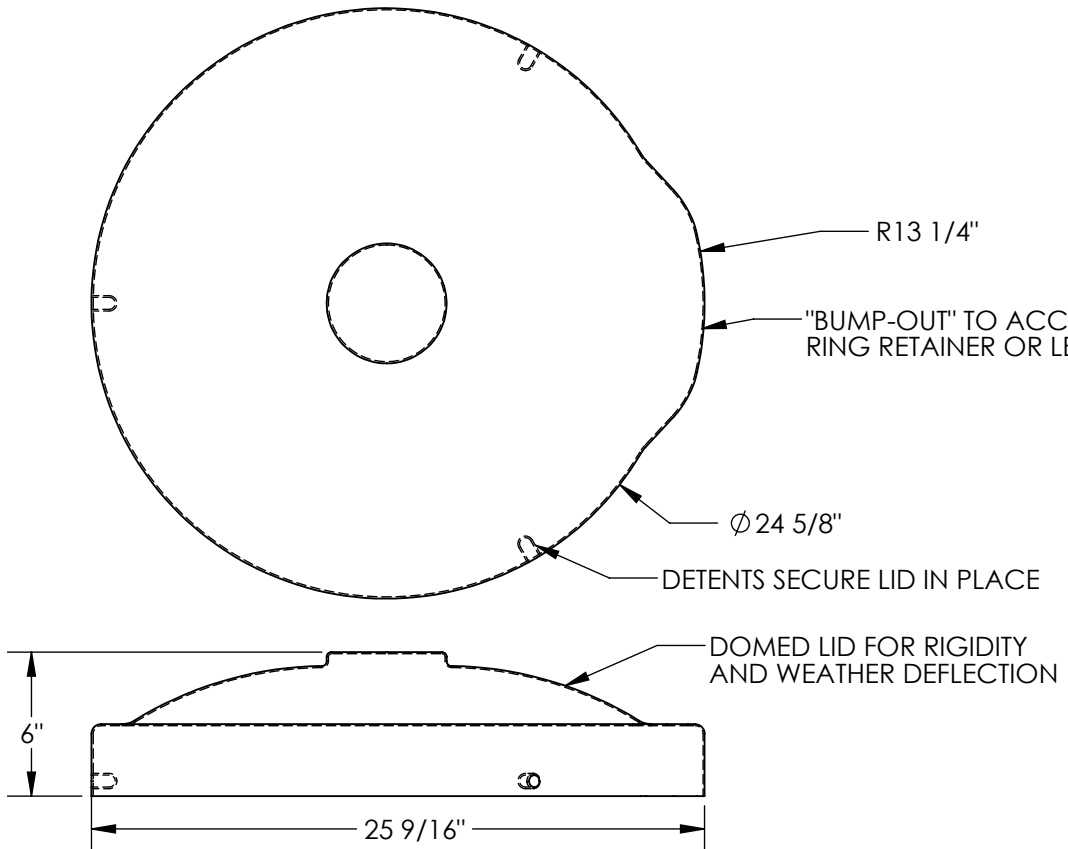


DOMED DRUM COVER - DC-P-55-UF-BU

APPROX WEIGHT: 1.71 lbs.
 DOES NOT INCLUDE WEIGHT OF POWER OR PACKAGING!!!

*** ANY ADDITIONS, DELETIONS, OR OMISSIONS MUST BE CORRECTED ON THIS DRAWING AS THIS DRAWING WILL BE CONSIDERED ALL INCLUSIVE ***

ALL GRAPHICS PROVIDED ARE FOR REFERENCE ONLY. IF CERTAIN DIMENSIONS ARE CRITICAL PLEASE VERIFY THOSE DIMENSIONS WITH YOUR SALESPERSON



DIMENSION TOLERANCE $\pm 1/4"$

STANDARD FEATURES

- MODEL NUMBER IS DC-P-55-UF-BU
- OVERALL DIAMETER IS $\phi 24\ 5/8"$
- OVERALL LENGTH IS $25\ 9/16"$
- OVERALL HEIGHT IS 6"
- MADE FROM LOW-DENSITY POLYETHYLENE
- DETENTS HOLD LID SECURELY IN PLACE
- DOMED LID FOR RIGIDITY AND WEATHER DEFLECTION
- "BUMP-OUT" ON OUTER DIAMETER WILL ACCOMODATE RING RETAINER W/ BOLT OR INSIDE OR OUTSIDE LEVER RELEASE
- COLOR IS BLUE
- WORKS WITH 55 GALLON, CLOSED OR OPEN HEAD DRUMS

SPECIAL FEATURES

NONE

| | | |
|---|--|-------------|
| APPROVAL | I, THE UNDERSIGNED, AGREE THAT THE PRODUCT AS REPRESENTED SATISFIES DESIGN AND DIMENSION REQUIREMENTS. I ALSO ACKNOWLEDGE MY DUTY TO CONFIRM PRODUCT AND INSTALLATION COMPLIANCE WITH ALL APPLICABLE FEDERAL, STATE AND LOCAL REGULATIONS AND STANDARDS. | |
| | ANY MODIFIED UNITS ARE NON-RETURNABLE | |
| | [] As drawn [] As marked | |
| | Signed: _____ | Date: _____ |
| Printed Name: _____ | | |
| LEAD TIME WILL START UPON RECEIPT OF SIGNED APPROVAL DRAWING | | |

| | |
|---|--|
| FOR INTERNAL USE ONLY PROJECT SIGN OFF | |
| SALES | |
| ENG. | |
| FAB. | |
| POWER | |

| | | |
|----------------------|------------|----------------|
| DISTRIBUTOR'S NAME: | | P.O.# |
| VESTIL MANUFACTURING | | X |
| DRAWN BY: KGH | | W.O.# |
| DATE: 8/23/2016 | | X |
| REFERENCE: X | SCALE: 1:8 | SALES: X |
| QUOTED LEAD TIME: X | QUOTE # | FILE NAME: |
| | X | 31-007-246-001 |